

❖ TM-9730 CL / TMC-9730 CL

Progressive Scan CCD



- *2/3" progressive scan IT CCD imager (KAI-0373)*
- *768(H) x 484(V) @ 30 fps*
- *Large 11.6 x 13.6 μ m pixels for high dynamic range and NIR sensitivity*
- *Small 44.5 x 44.5 x 68 mm housing*
- *GUI or serial commands for digital control of all camera functions*
- *Built in LUT provides maximum image contrast & dynamic range*
- *Configurable design – select from a wide range of options including ALC, blemish compensation, UV, analog frame buffer, and more*
- *Monochrome or color*



Specifications for TM-9730CL/TMC-9730CL

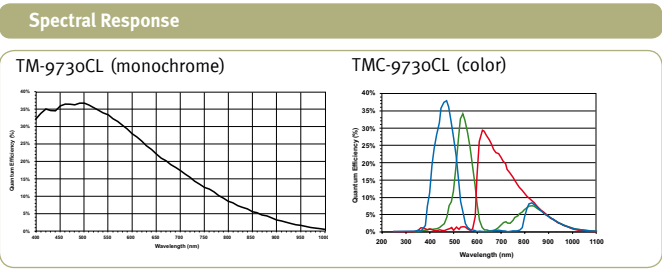
Specifications	TM-9730CL/TMC-9730CL
Sensor	2/3" progressive scan IT CCD
Active area	8.9mm x 6.6mm
Active pixels	768 (H) x 484 (V)
Cell size	11.6 μm x 13.6 μm
Readout modes	Digital 768 (H) x 484 (V) Analog 570 TV lines (H) x 484 TV lines (V)
Synchronization	Internal/External auto switch VD= 30 Hz HD= 15.734 kHz ± 5%
Pixel clock	14.318 MHz
S/N ratio	54 dB (AGC off)
Sensitivity	Monochrome 0.09 lux f=1.4 (no shutter) @ 30 fps, Color 0.55 lux f=1.4 (no shutter) @ 30 fps
Video output	Analog 1.0 Vp-p, 75 Ω Digital 8-bit Camera Link
Color (TMC-9730CL only)	Raw Bayer output for host-based interpolation
Gamma	Programmable LUT (Gamma 1.0 std)
Shutter speed	1/30 to 1/31,500 in 10 steps
Lens mount	C-mount (adjustable)
Power	12V DC ± 10%, 330 mA (typical at 25° C)
Operating temperature	-10° C to 50° C
Vibration	7 Grms (10 Hz to 2000 Hz) Random
Shock	70 G, 11 ms, half-sine
Dimensions (H x W x L)	44.5 mm x 44.5 mm x 68 mm
Weight	171 g (without tripod)

Shutter Speed

0	1/30	5	1/1,000
1	1/60	6	1/2,100
2	1/125	7	1/4,500
3	1/250	8	1/10,500
4	1/500	9	1/31,500

Ordering Information

Camera	
Lead Processing	TM-9730CL (mono), TMC-9730CL (color)
RoHS Compliant	RM-9730CL (mono), RMC-9730CL (color)
Optional Functions	
Auto Level Control (ALC)	OP1-5
Imager Blemish Map	OP2-1
Blemish compensation	OP2-5
Ultraviolet Imager	OP21-UV (monochrome only)
Extended temperature -40°C to +65°C	OP22-5-1 (reduced performance may occur)
Conformal coat	OP22-5-5
Analog frame buffer for RS-170 video conversion for video standard equipment	OP27-1
NTSC	OP27-2
NTSC Y/C	OP27-3
Optional Accessories (must be ordered separately)	
I/O (Camera Link)	26CL-02-26 (2m)
Power Cable	12P-02S
Power Supply	PD-12UUP (includes power connector)
Tripod Mounting Kit	TP-20



Connector Pin-out

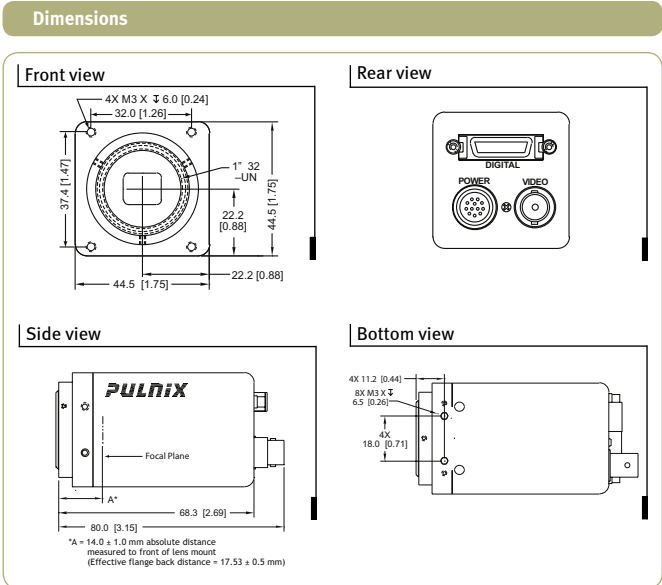
MDR 26-Pin Connector

Pin #	Description	Pin#	Description	Pin #	Description
1	GND (Shield)	10	CC2+	19	X3+
2	X0-	11	CC3-	20	SerTC-
3	X1-	12	CC4+	21	SerTFG+
4	X2-	13	GND (Shield)	22	CC1+
5	Xclk-	14	GND (Shield)	23	CC2-
6	C3-	15	X0+	24	CC3+
7	SerTC+	16	X1+	25	CC4-
8	SerTFG-	17	X2+	26	GND (Shield)
9	CC1-	18	Xclk+		

12-Pin Connector

1	GND	7	VD in
2	+12V DC	8	NC
3	GND (analog)	9	HD in
4	Video out	10	RXD (RS-232)*
5	GND (digital)	11	NC
6	NC/VINIT in	12	TXD (RS-232)*

*RS-232 option (OP25-3)



Europe, Middle East & Africa
Phone +45 4457 8888
Fax +45 4491 3252

Asia Pacific
Phone +81 45 440 0154
Fax +81 45 440 0166

Americas
Phone (Toll-Free) 1 800 445 5444
Phone +1 408 383 0300



See the possibilities

Visit our web site on www.jai.com