



➤ **TM-72 EX / TM-62 EX** Monochrome Interlaced Scan CCD

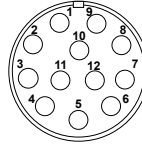


- *2/3" high efficiency HAD type interline transfer CCD with micro lenses*
- *768 x 493 resolution @ 30 fps (EIA)*
- *758 x 581 resolution @ 25 fps (CCIR)*
- *Small size, rugged construction*
- *Optional remote control shutter*
- *Shutter from 1/60 to 1/10,000 sec.*
- *External adjustments for gain, gamma, AGC and field-frame select*

Specifications for TM-72EX/TM-62EX

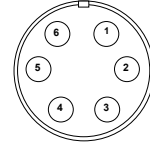
Specifications	TM-72EX (EIA)	TM-62EX (CCIR)
Sensor	2/3" interlaced scan IT CCD, HAD type ICX422AL ICX423AL	
Active pixels	768 (H) x 493 (V)	758 (H) x 581 (V)
Cell size	11 μm x 13 μm	11.6 μm x 11.2 μm
Scanning	525 Lines, 60 Hz 2:1 interlaced	625 lines, 50 Hz 2:1 interlaced
Synchronization	Internal/External auto switch HD/VD, 4.0 Vp-p impedance 4.7K □ VD = interlaced, non-interlaced HD = 15.73 kHz ± 5%	
TV resolution	570 (H) x 350 (V)	
S/N ratio	50 dB min. (AGC off), 56 db typical	
Sensitivity	0.35 lux f=1.4 without IR cut filter	
Video output	1.0 Vp-p composite video, 75 □	
AGC	ON/OFF (Back plate switch)	
Gamma	0.45/1.0 (Back plate switch)	
Lens mount	C-mount (adjustable)	
Power	12V DC, 350 mA (typical at 25° C)	
Operating temperature	-10° C to 50° C	
Vibration	7 Grms (10 Hz to 2000 Hz) Random	
Shock	70 G, 11 ms, half-sine	
Dimensions (H x W x L)	40 mm x 46 mm x 67 mm	
Weight	190 g (without tripod)	

Connector Pin-outs



12-Pin Connector

1 GND	7 VD in
2 +12V	8 GND
3 GND	9 HD in
4 Video	10 NC
5 GND	11 INTEG cont.
6 VINIT	12 GND



6-Pin Connector

1 D2
2 GND
3 Video
4 +12V (or 5V)
5 D0
6 D1

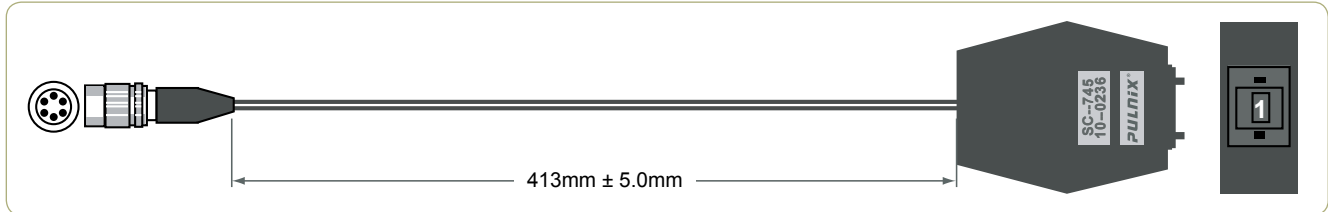
D0, D1, D2 Shutter Control

Shuttering

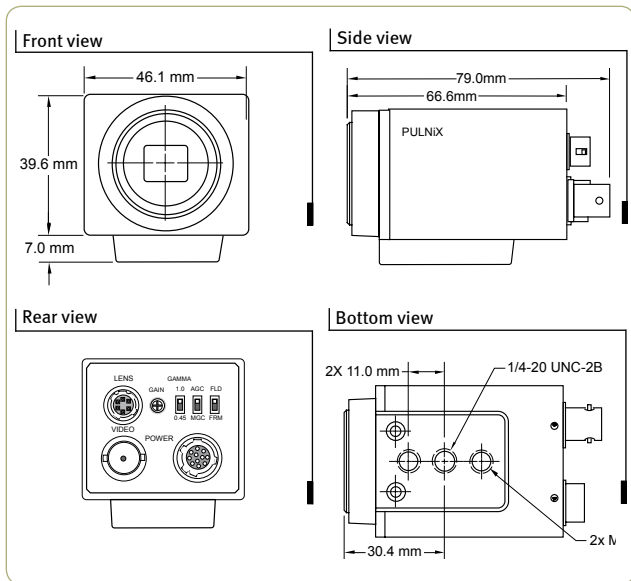
Controlled by the SC-745 Shutter Control attached to the 6-pin connector.

Setting (sec)	0	1	2	3	4	5	6	7
Do	L	H	L	H	L	H	L	H
D1	L	L	H	H	L	L	H	H
D2	L	L	L	L	H	H	H	H

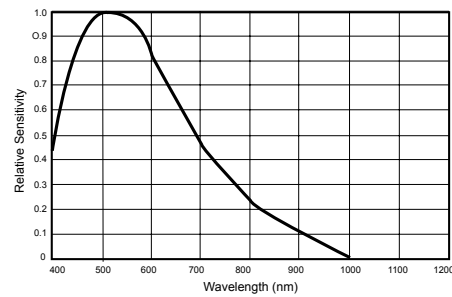
Shutter Control (optional)



Dimensions



Spectral Response



Ordering Information

Camera

Lead Processing	TM-72EX (EIA), TM-62EX (CCIR)
RoHS Compliant	RM-72EX (EIA), RM-62EX (CCIR)

Optional Accessories (MUST BE ORDERED SEPARATELY)

Power Cable	12P-02S
Power Supply	PD-12U Series
Auto Iris Connector	PC-6P
Shutter Control	SC-745 (no cost when ordered with Camera)

Europe, Middle East & Africa
Phone +45 4457 8888
Fax +45 4491 3252

Asia Pacific
Phone +81 45 440 0154
Fax +81 45 440 0166

Americas
Phone (Toll-Free) 1 800 445 5444
Phone +1 408 383 0300



See the possibilities

Visit our web site on www.jai.com