

➤ **TM-700/TM-705 NIR**
Monochrome Interlaced Scan CCD

Non-RoHS compliant

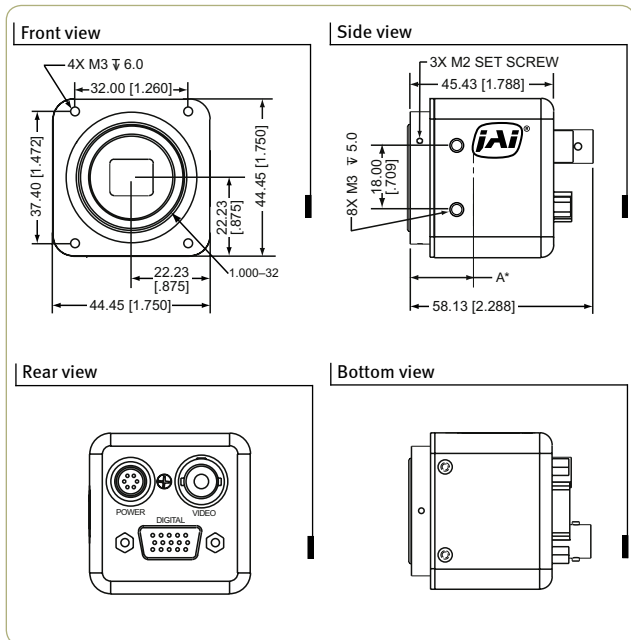


- *1/2" NIR, or 2/3" high resolution interline transfer CCD*
- *768 x 494 resolution @ 30 fps (EIA)*
- *Micro, rugged construction*
- *Shutter from 1/60 to 1/10,000 sec.*
- *RS-232 adjustable manual gain, AGC, shutter, gamma and field/frame select*
- *External sync in*
- *Mount positionable on all four sides*

Specifications

Specifications	TM-700	TM-705 NIR
Sensor	2/3" interlaced CCD ICX422ALL	1/2" NIR interlace CCD ICX428ALL
Active pixels	768 (H) x 493 (V)	
Cell size	11 μm x 13 μm	8.4 μm x 9.8 μm
Scanning	525 lines / 60 Hz	
Synchronization	Internal/external auto switch HD/VD 4.0 Vp-p impedance 10K Ω VD = interlace/non-interlace HD = 15.73 kHz ± 5 %	
TV resolution	570 (H) x 350 (V)	
S/N ratio	50 dB min. (AGC Off)	
Sensitivity	0.20 lux (f=1.4)	0.25 lux (f=1.4)
Video output	1.0 Vp-p composite video, 75 Ω	
AGC	ON/OFF (RS-232 controlled)	
Gamma	0.45 / 1.0 (RS-232 controlled)	
Lens mount	C-mount (adjustable)	
Power requirement	12V DC, 150 mA typical at 25° C	
Operating temperature	-10° C to 50° C	
Storage temperature	-40° C to 65° C (configurable option)	
Vibration	7 Grms (20 Hz to 2000 Hz) Random	
Shock	70 G, 11 ms, half-sine	
Dimensions (HxWxL)	45 x 45 x 46 mm (1.75" x 1.75" x 1.826")	
Weight	102.4 g (without tripod mount)	

Dimensions

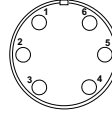


*A = 17.3 ± 1.0 mm absolute distance to lens mount projection
(Effective distance to adjustment ring = 17.526 ± .05 mm)

Connector Pin-outs

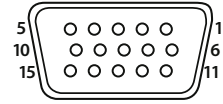
6-Pin Connector

Pin#	Function
1	+12V GND
2	+12V PWR
3	GND
4	AUTO-IRIS
5	GND
6	IRIS PWR (+12V)

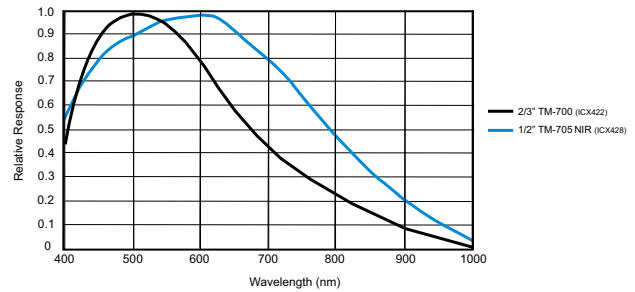


15-Pin Connector

1	RX In	9	Zoom Out
2	Video Out	10	GND
3	TX Out	11	Iris Out
4	Focus Out	12	multi-function
5	GND	13	Ext HD
6	GND	14	EXT VD
7	GND	15	NC
8	GND		



Spectral Response



Graphical User Interface (GUI)



Ordering Information

Camera

Lead Processing	TM-700, TM-705 NIR
Optional Functions (MUST BE ORDERED CONCURRENTLY WITH CAMERA)	
Auto Level Control (EE and AGC)	OP1-5
Extended Temperature	OP22-5-1
Conformal coat	OP22-5-5
Optional Accessories (MUST BE ORDERED SEPARATELY)	
Power Supply	PD-12UU6PF-AG
Tripod Kit	TP-30
Cable Assembly	15P-02-9P-AG

Europe, Middle East & Africa
 Phone +45 4457 8888
 Fax +45 4491 3252

Asia Pacific
 Phone +81 45 440 0154
 Fax +81 45 440 0166

Americas
 Phone (Toll-Free) 1 800 445 5444
 Phone +1 408 383 0300



See the possibilities

Visit our web site on www.jai.com