

## SW-2000M-CL-80

Monochrome CMOS line scan camera



- **Monochrome CMOS line scan camera with Camera Link output**
- **Large 20  $\mu\text{m}$  square pixels for high line rates with less light**
- **Resolution: 2048 pixels**
- **Maximum scan rate: 80,000 full lines per second**
- **Selectable sensor mode: high responsivity or high dynamic range**
- **8/10/12-bit output via Camera Link Base configuration**
- **Single, dual, and triple data formats**
- **DSNU correction as factory default**
- **Flat field correction (FFC)**
- **ROI and binning modes**
- **Normal and reversed output**
- **Test pattern generator for set-up and troubleshooting**
- **Ethernet port for control and monitoring, FW updates, and download of files from camera**
- **Short ASCII commands for set-up via Camera Link or Ethernet port using the Telnet protocol**
  - Windows user interface

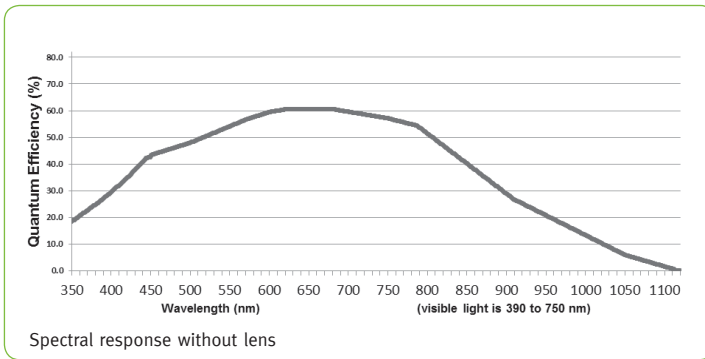


# Specifications for SW-2000M-CL-80

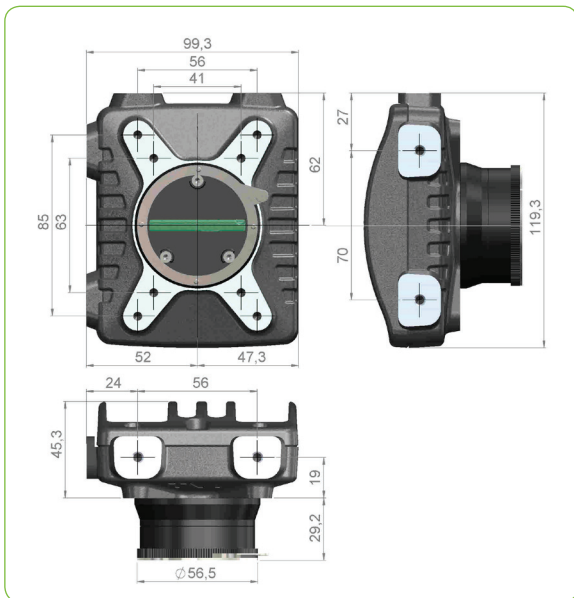
## Specifications SW-2000M-CL-80

Scanning system	CMOS line sensor with internal clock
Pixel clock	20 MHz to 85 MHz adjustable
Sensor resolution	2048 pixels
Cell size	20.0 $\mu\text{m}$ (h) x 20.0 $\mu\text{m}$ (v)
Imager length	40.96 mm
Line scan period	12.5 $\mu\text{s}$ to 100,000 $\mu\text{s}$
Line rate	10 Hz to 80 kHz (max)
Read-out modes	Camera Link Base configuration 8, 10 or 12 bits x1 8, 10 or 12 bits x2 8 bits x3
Responsivity	480 DN/nl/cm <sup>2</sup> (DN as 12-bits, small well, gain = 1x, $\lambda = 625 \text{ nm}$ ) @ 60 kHz
Maximum SNR	55.3 dB (large well, EMVA 1288) @ 60 kHz
Temporal dark noise	1.9 DN (DN as 12-bits, large well, gain=1x)
Dynamic range	66dB
Gain control	0.1x to 32x (Quantum well size selection provides additional 6:1 scale factor)
Operating modes	External (external trigger/shutter), Internal (internal trigger/shutter), Mixed (external trigger, internal shutter)
Programmable exposure	2 $\mu\text{s}$ to 100,000 $\mu\text{s}$ (internal shutter)
Camera control	Camera Link or 10/100 Mbps Ethernet CL baud rates: 9600, 19200, 38400, 57600, or 115200 bps
Lens mount	Nikon F-mount standard
Flange back distance	46.5 mm
Input window	1mm BK7 glass, AR coated
Sensor alignment	$\pm 0.2 \text{ mm}$ ( $\pm 0.1 \text{ mm}$ typical)
Operating temperature	+5°C to +50°C
Storage temperature	-10°C to +60°C
Humidity	5 - 80% relative, non-condensing
Vibration	3G (IEC 60068-2-6)
Shock	25G (IEC 60068-2-27)
Regulations	EMC emissions: EN 61000-6-4. EMC immunity: EN 61000-6-2.
Power	12V to 24V DC. 5W typical
Dimensions (H x W x L)	99.3 mm x 119.3 mm x 45.3 mm
Weight	660 g

## Spectral Response



## Dimensions



## Connector pin-out

**DC In**

3-pin M8 male connector (viewed looking toward camera)

Connector pin-out

Pin 1	+12V to +24V DC input
Pin 3	GND (pwr supply negative)
Pin 4	CHGND (chassis ground)

## Ordering Information

SW-2000M-CL-80 Monochrome camera with Camera Link 80 kHz



Europe, Middle East & Africa  
Phone +45 4457 8888  
Fax +45 4491 8880

Asia Pacific  
Phone +81 45 440 0154  
Fax +81 45 440 0166

Americas  
Phone (Toll-Free) 1 800 445 5444  
Phone +1 408 383 0300



See the possibilities

Visit our web site on [www.jai.com](http://www.jai.com)