

## ▶ **TM-745i/TM-765i** Monochrome Interlaced Scan CCD

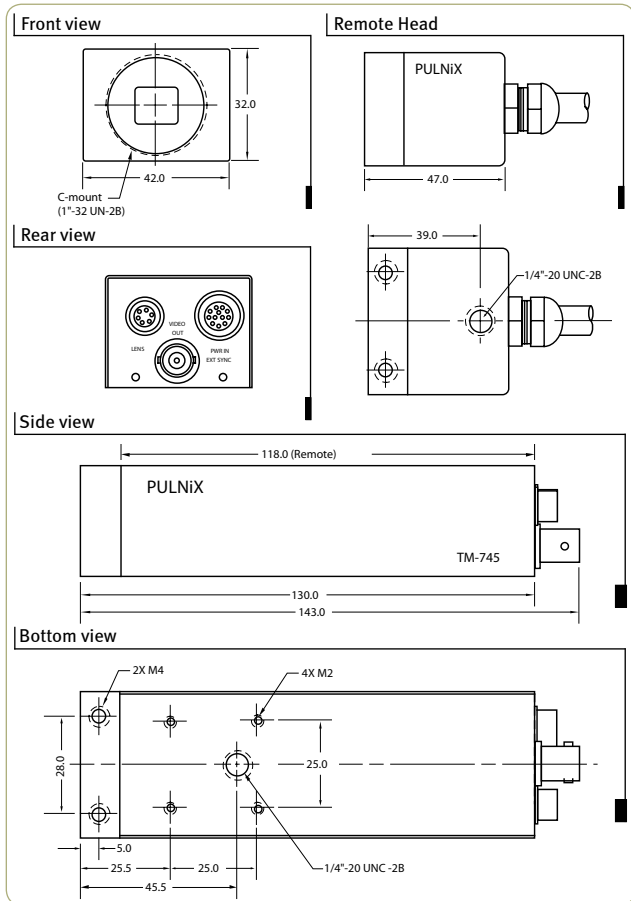


- **2/3" high resolution HAD type interline transfer CCD**
- **768 (H) x 493 (V) resolution (EIA)**
- **756 (H) x 581 (V) resolution (CCIR)**
- **Fully automatic exposure control**
- **Low light sensitivity (0.5 lux)**
- **Smearless shutter 1/60 to 1/10,000 sec.**
- **Full frame integration and asynchronous reset**
- **External sync, interlace, non-interlace auto select**
- **Excellent S/N ratio (>50 dB)**

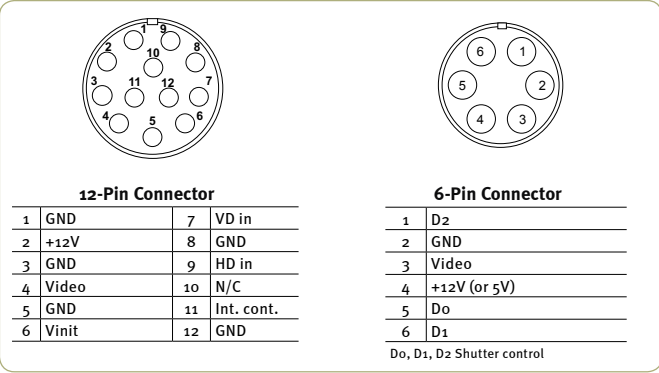
# Specifications for TM-745i/TM-765i

Specifications	TM-745i	TM-765i
Sensor	2/3" interlaced scan IT CCD, HAD type ICX422AL   ICX423AL	
Active pixels	768 (H) x 493 (V)	756 (H) x 581 (V)
Cell size	11 $\mu$ m x 13 $\mu$ m	11 $\mu$ m x 11 $\mu$ m
Scanning	525 lines 60 Hz 2:1 interlaced	625 lines 50 Hz 2:1 interlaced
Synchronization	Internal sync/external auto switch HD/VD: 4.0 Vp-p, 4.7k $\Omega$ VD = interlaced/non-interlaced HD = 15.734KHz $\pm$ 5%   HD = 15.625KHz $\pm$ 5%	
TV resolution	570 x 350 TV lines	560 x 420 TV lines
S/N ratio	>50 dB	
Sensitivity	0.3 lux f=1.4 without IR cut filter	
Video output	1.0 Vp-p composite video, 75 $\Omega$	
AGC	ON/OFF (default)	
Gamma	0.45 / 1.0 (default)	
Lens mount	C-mount standard	
Power	12V DC, 350 mA	
Operating temperature	-10° C to 50° C	
Vibration	7 Grms (10 Hz to 2000 Hz) Random	
Shock	70 G, 11 ms, half-sine	
Dimensions (H x W x L)	32 mm x 42 mm x 130 mm	
Weight	200 g	

## Dimensions

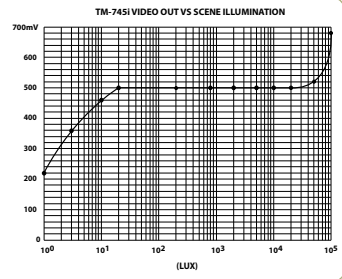


## Connector Pin-outs

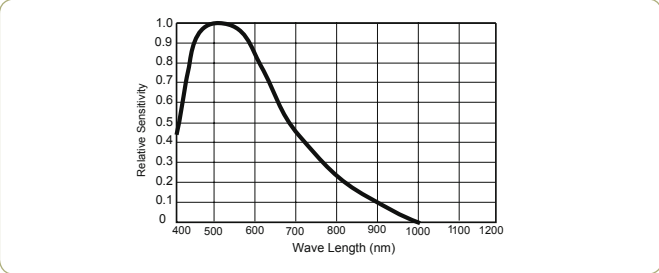


## Automatic Shutter

Automatic shuttering is controlled by a special CPU in the camera which adjusts for optimal picture level based on the video signal. This eliminates the need for costly and bulky auto iris lenses. All shuttering is activated electronically with no moving parts involved. The full shutter range from 1/60 sec. to 1/31,000 sec. is utilized.



## Spectral Response



## Ordering Information

Camera	
Lead Processing	TM-745i (EIA), TM-765i (CCIR)
RoHS Compliant	RM-745i (EIA), RM-765i (CCIR)
Optional Functions	
AGC Disable	OP1-1
Internal IR Filter Added	OP3-1
Optical Filter Removal	OP3-2
Gamma Adjust to 0.45	OP4-2
Pixel Clock Output	OP7-2
Remote Head w/1-meter cable	OP10-1
Sony Pinout	OP25
Frame Mode Set	OP60
DC-Coupled Analog Output	OP72
Optional Accessories (MUST BE ORDERED SEPARATELY)	
Power Cable	12P-02S
Power Supply	PD-12U series
Auto Iris Connector	PC-6P

**Europe, Middle East & Africa**  
Phone +45 4457 8888  
Fax +45 4491 8880

**Asia Pacific**  
Phone +81 45 440 0154  
Fax +81 45 440 0166

**Americas**  
Phone (Toll-Free) 1 800 445 5444  
Phone +1 408 383 0300

Visit our web site on [www.jai.com](http://www.jai.com) See the possibilities



Company and product names mentioned in this datasheet are trademarks or registered trademarks of their respective owners. JAI-A-S cannot be held responsible for any technical or typographical errors and reserves the right to make changes to products and documentation without prior notification. 10452 Rev A\_03.21.2007